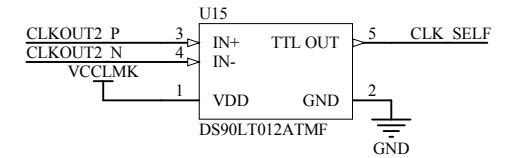
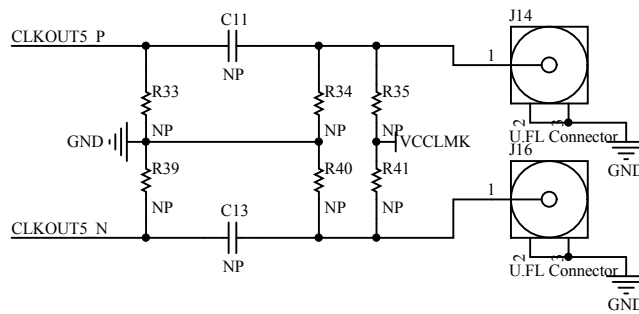
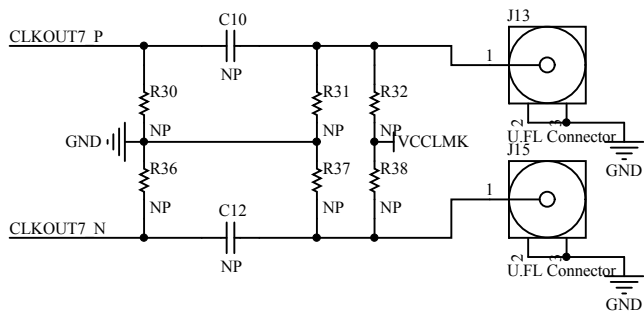
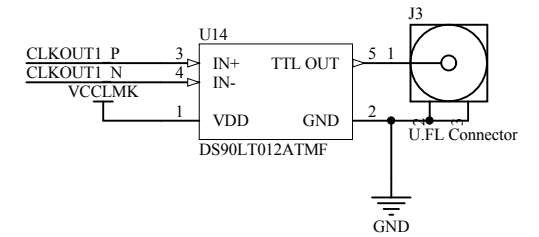
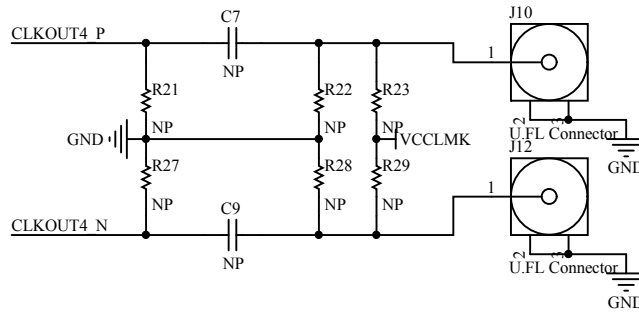
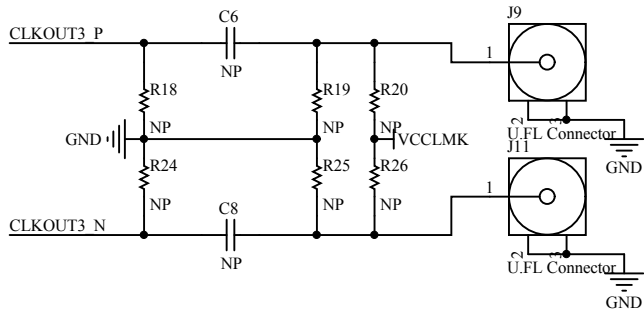
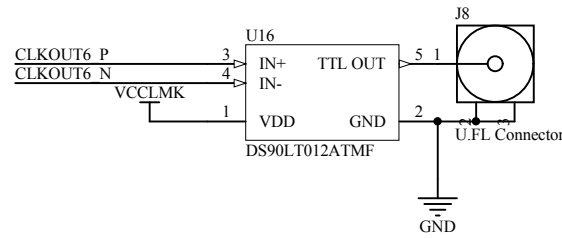
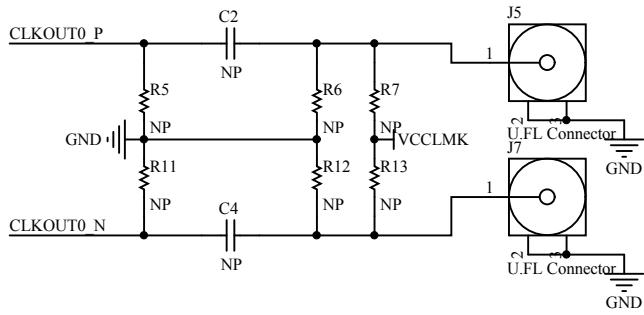
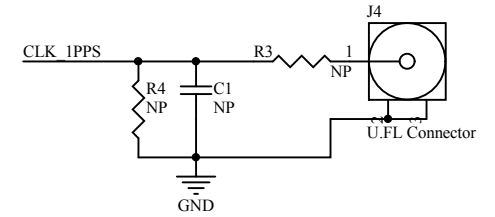
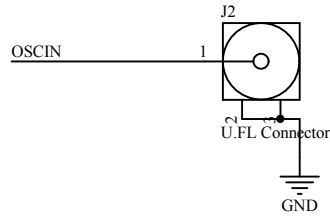
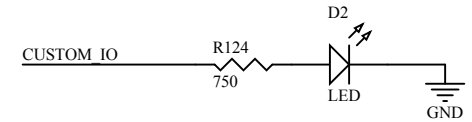
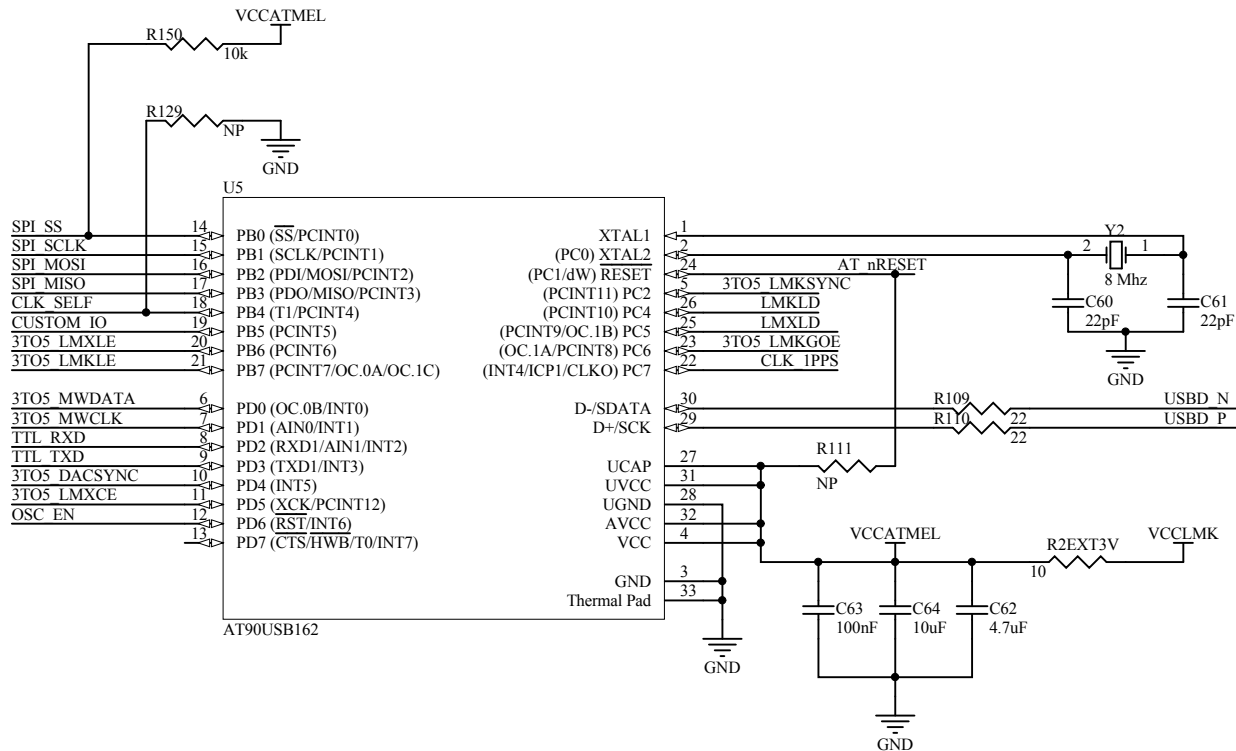
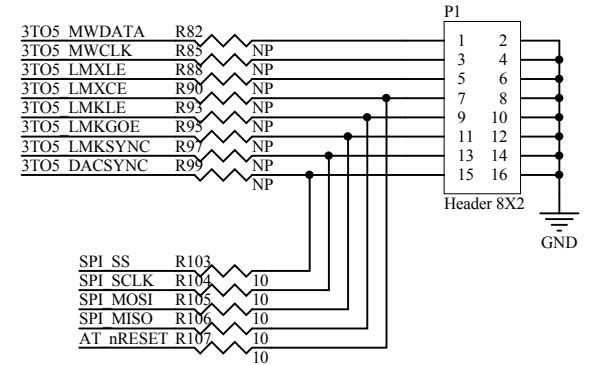
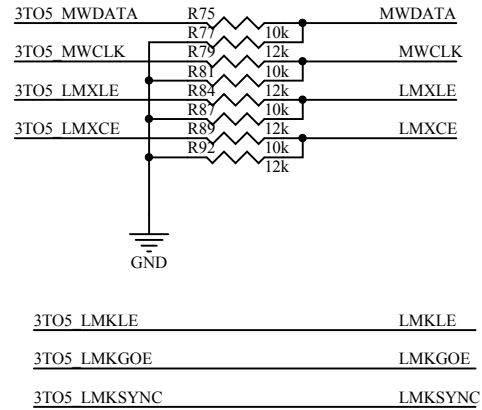
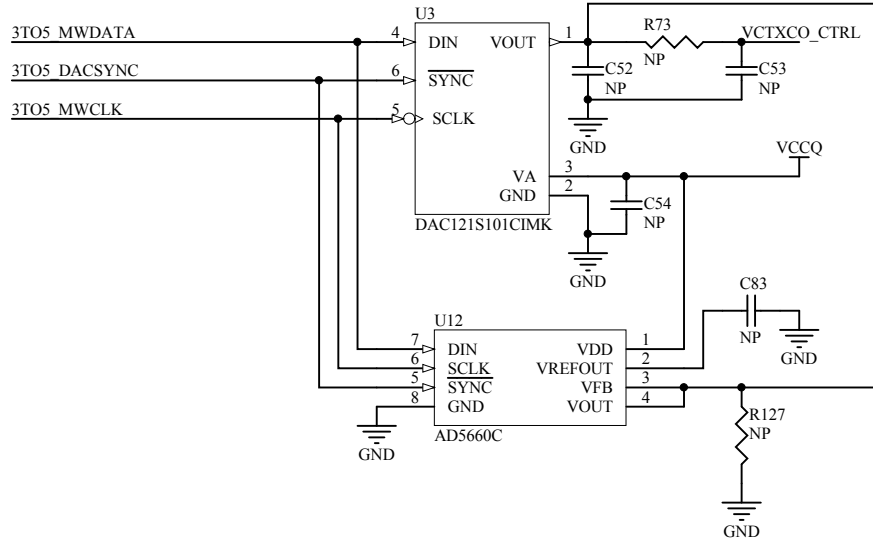


Title		
Size	Number	Revision
A4		
Date:	11.07.2010	Sheet of
File:	E:\Generator\Generator.SchDoc	Drawn By:



Title		
Size	Number	Revision
A4		
Date:	11.07.2010	Sheet of
File:	E:\Generator\Connectors.SchDoc	Drawn By:



Title		
Size	Number	Revision
A4		
Date:	11.07.2010	Sheet of
File:	E:\Generator\Contoller.SchDoc	Drawn By:

1

2

3

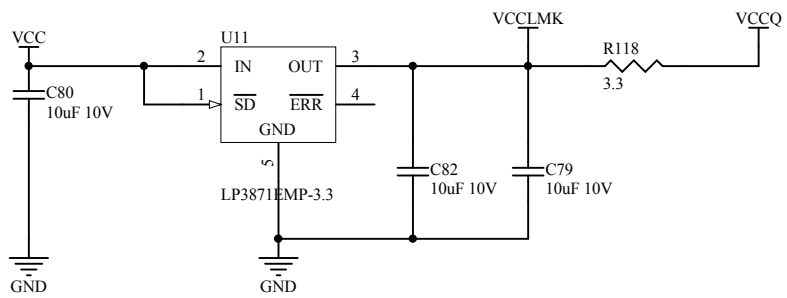
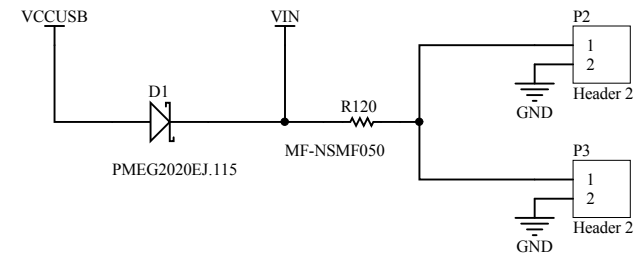
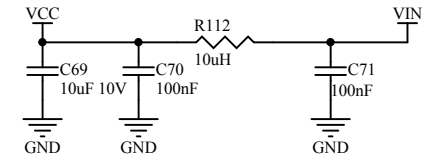
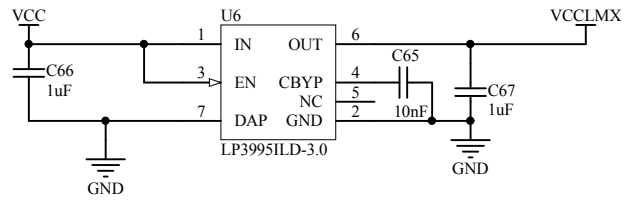
4

1

2

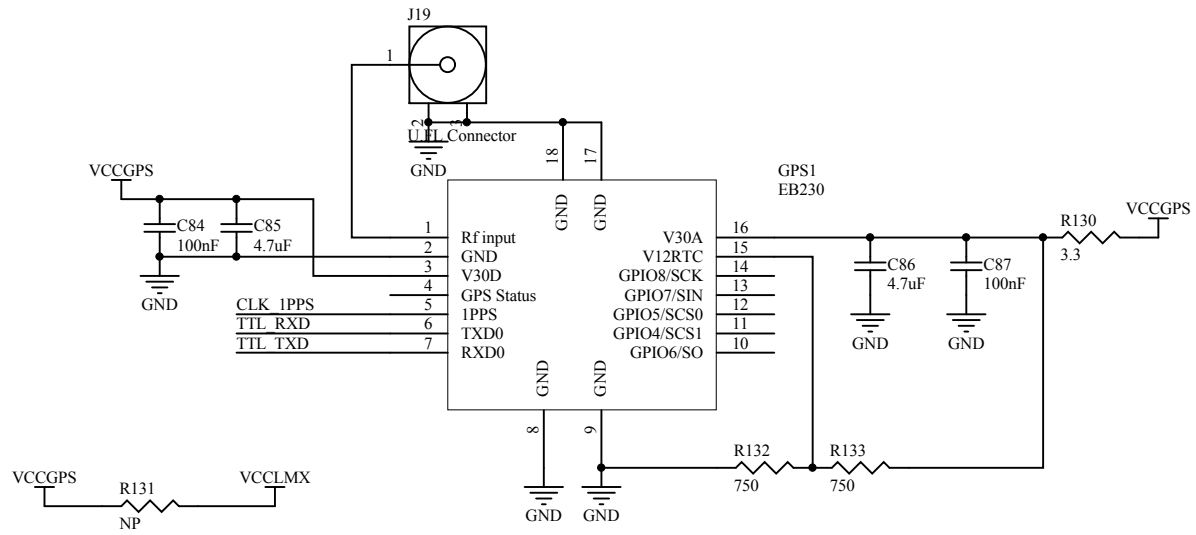
3

4



CAUTION!!! There's no protection for incorrect polarity. Be careful!

Title		
Size A4	Number	Revision
Date:	11.07.2010	Sheet of
File:	E:\Generator\Power.SchDoc	Drawn By:



Solder R131,R130 zero-ohm resistors for EB-230

Title		
Size	Number	Revision
A4		
Date:	11.07.2010	Sheet of
File:	E:\Generator\GPS.SchDoc	Drawn By: